

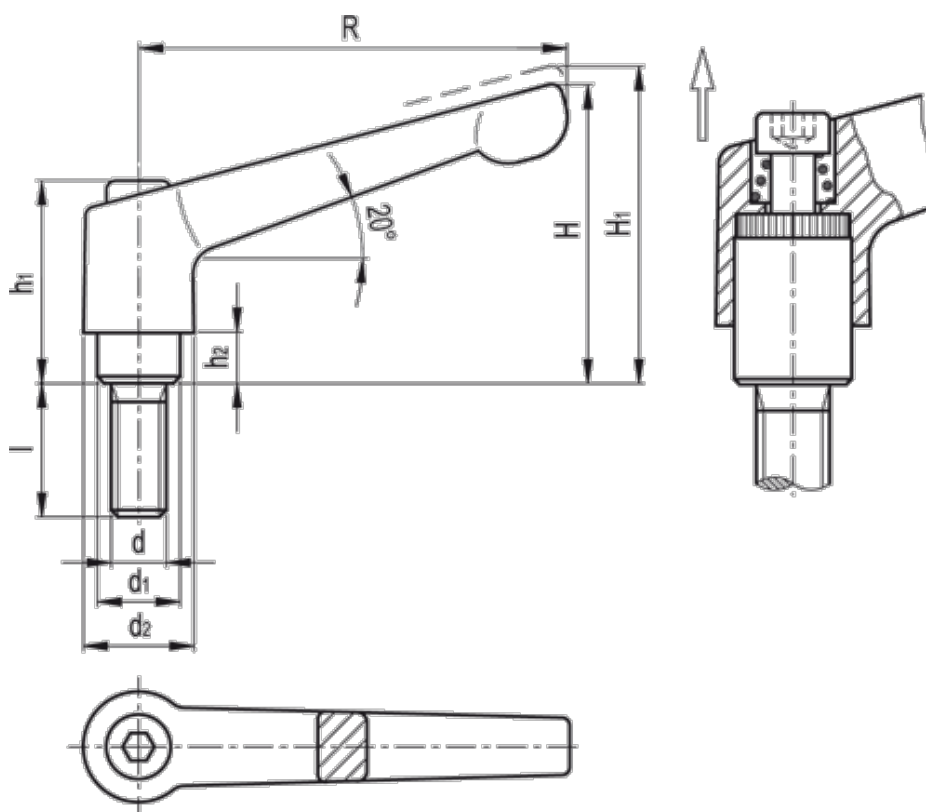
Data Sheet



Article number: 20300592m1225as

Description: E+G Adjustable handle
GN 300.5-92-M12-25-AS, st. steel

Measures



d = M12	R = 92
d1 = 19.0	Weight (g) =
d2 = 24	
H = 64	
h1 = 43	
H1 = 68	
h2 = 11.0	
l = 25	